
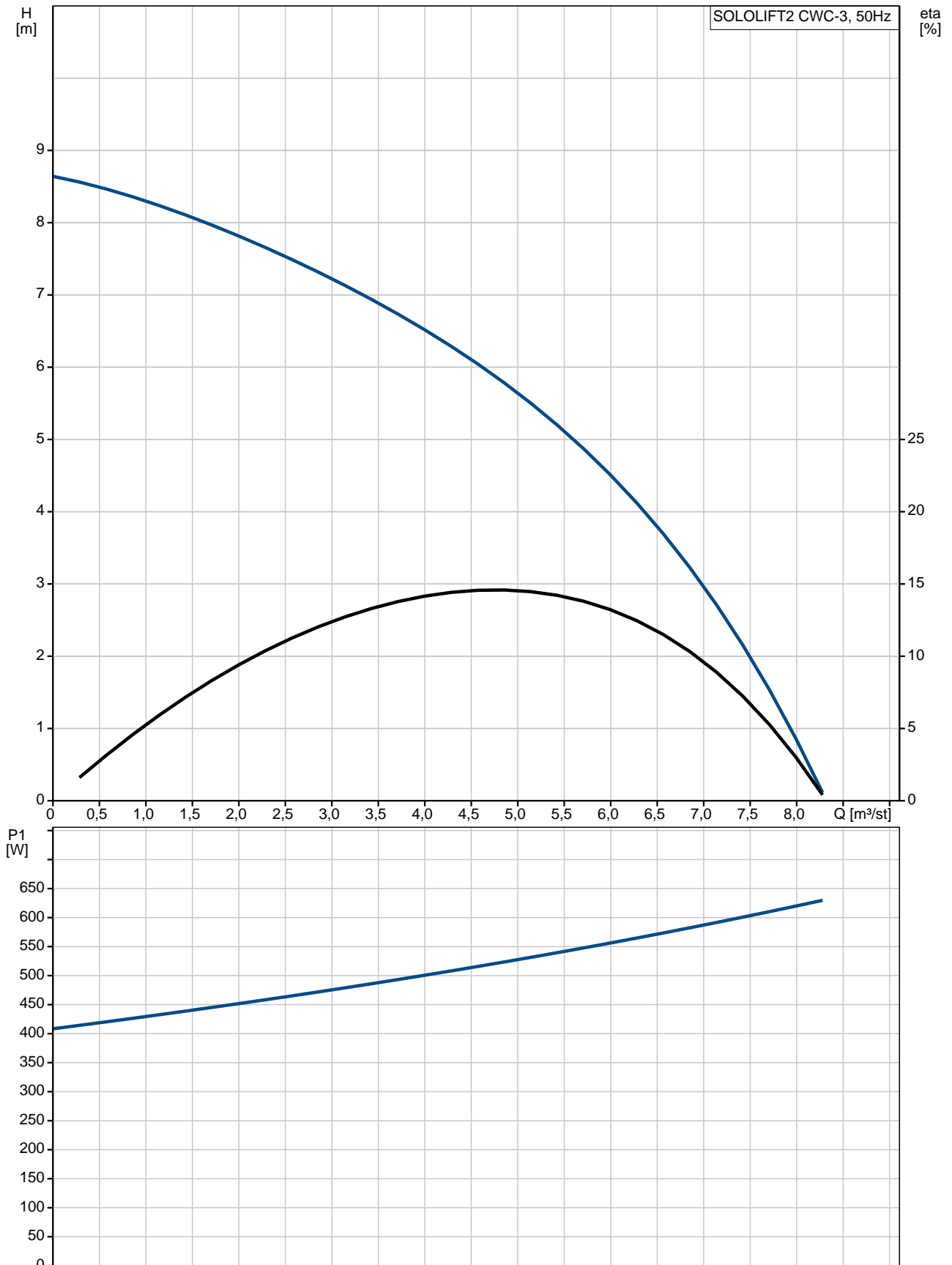


Poz cija	Daudz.	Apraksts
	1	<p>SOLOLIFT2 CWC-3</p>  <p style="text-align: right;">Uzman bu! Izstr d juma att ls var atš irties no faktisk izstr d juma izskata.</p> <p>Izstr d juma Nr.: 97775316</p> <p>Sololift2 CWC-3 is a small, compact automatic lifting station suitable for pumping of wastewater off places in private dwellings where wastewater cannot be led directly to the sewer by means of a natural downward slope.</p> <p>Sololift2 CWC-3 is typically used for:</p> <ul style="list-style-type: none"> • wall-hung toilets, cabinet showers and washbasins in basements below sewer level, in connection with the renovation or modernisation of existing buildings, where the location may be remote from the main soil pipe so that a natural slope cannot be established. <p>Extremely low switching levels for lowest construction heights, advantageously in case of connection of a shower receptor.</p> <p>Sololift2 CWC-3 is suitable for installation in a hollow space behind a wall-hung toilet.</p> <p>This lifting station is only suitable for pumping wastewater from a cabinet shower and a washbasin as well as sewage water from a toilet containing toilet paper and faeces.</p> <p>The pumping of liquids containing other material may cause faults and limit the scope of our guarantee.</p> <p>The compact lifting station is equipped with</p> <ul style="list-style-type: none"> - Cable with or without plug (see technical data) - Horizontal or vertical fastening possibility of discharge hose connector with several adaptors for pipes with Ø22-40mm - integrated non return valve - Dry and high performance motor unit incl. thermal protection, pressure switch and controller - DN100 toilet connection hose - Flexible connectors for inlet (adjustable in height) of pipes Ø36 or 40 - Slot for an alarm board with buzzer (accessory) - Manual anti clogging function and separate drain connection for service - Venting valve with overflow protection - Uplift fixation clips <p>Design according to EN12050-3 and production inspection by external institute with unique features focused on quick installation, long lasting operation and easy clean service.</p> <p>Š idrums: Š idruma maksim l temperat ra: 50 °C Bl vums: 998.2 kg/m³</p> <p>Technical: Apstiprin jumi pases datu pl ksn t : CE,TR,LGA,VDEEMV,VDE L knes pielaide: ISO9906:2012 3B</p> <p>Materi li: Tvertne: PLASTIC</p> <p>Uzst d šana:</p>

Pozīcija	Daudz.	Apraksts
		Skaitejas kanāls: 32/36/40, 36/40/50, DN 100 Skaitejas kanāls: 22/25/28/32/36/40 Pievaduskaits: 3X0,75MM2
		Elektriskie dati: Ieejas jauda - P1: 620 W Tīkla frekvence: 50 Hz Nominālais spriegums: 1 x 220-240 V Nominālais strāva: 3 A Cos phi - jaudas koeficients: 0,92 Nominālais griezum: 2800 rpm Korpusa klase (IEC 34-5): IP44 Izolācijas klase (IEC 85): F Kabeļa garums: 1.2 m Kabeļa tips: H05VV-F Kabeļa uzgādes tips: SCHUKO
		Citi: Neto svars: 8.09 kg Bruto svars: 9.69 kg

97775316 SOLOLIFT2 CWC-3 50 Hz



Apraksts **Varbūtība**

Vispārīgā informācija:
 Izstrādājuma nosaukums: SOLOLIFT2 CWC-3
 Izstrādājuma Nr.: 97775316
 EAN numurs: 5710624187258
 Cena: Pēc pieprasījuma

Technical:
 Maksimālā augstums: 8.5 m
 Apstiprinājumi pasē datu plūsmas t: CE,TR,LGA,VDEEMV,VDE
 Līdzekļa pielāgošana: ISO9906:2012 3B

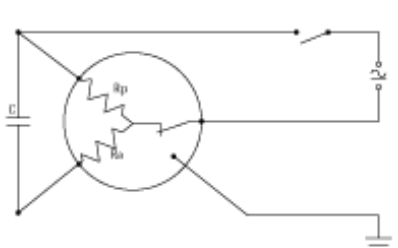
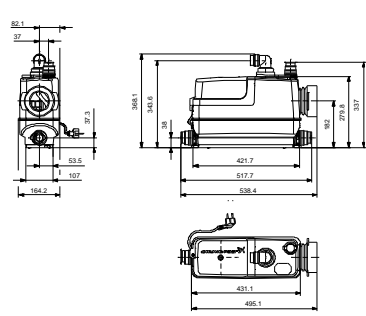
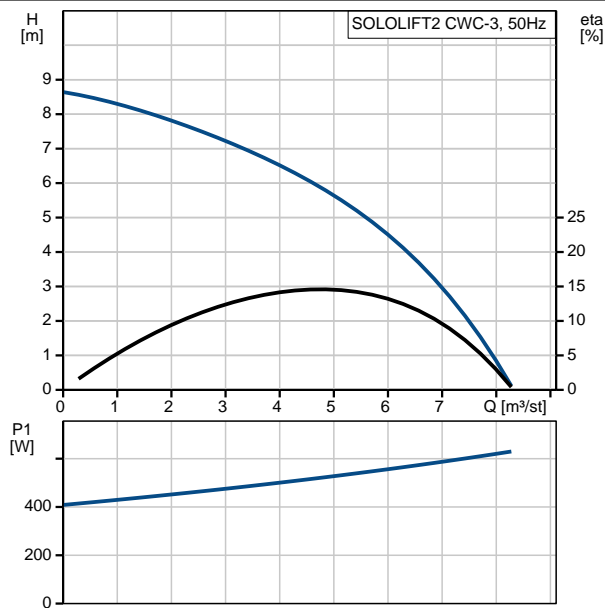
Materiāli:
 Tvertne: PLASTIC

Uzstādīšana:
 Sakāve ieejas kanāls: 32/36/40, 36/40/50, DN 100
 Sakāve izejas kanāls: 22/25/28/32/36/40
 Pievadu skaits: 3X0,75MM2

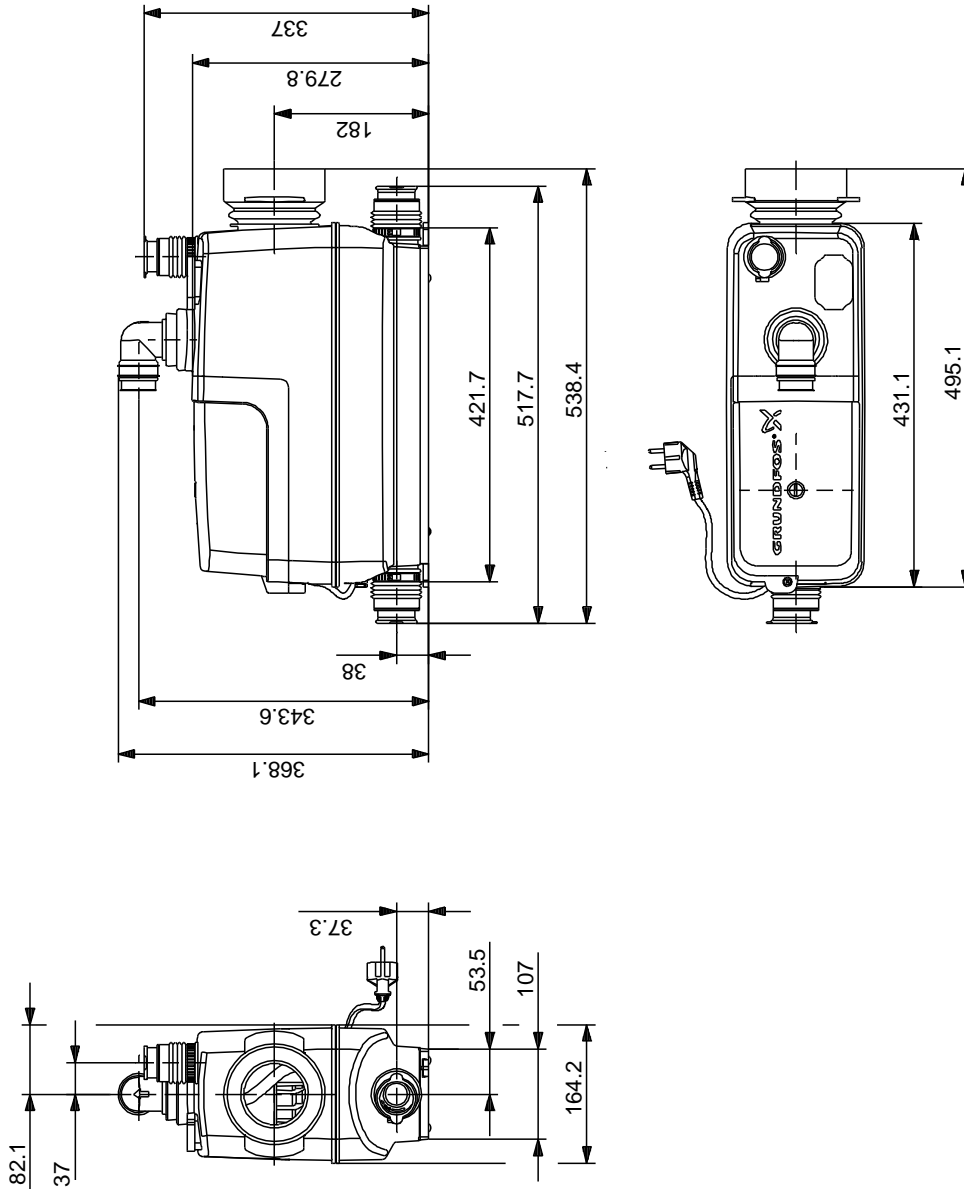
Šķidrums:
 Šķidruma maksimālā temperatūra: 50 °C
 Blīvums: 998.2 kg/m³

Elektriskie dati:
 Ieejas jauda - P1: 620 W
 Tīkla frekvence: 50 Hz
 Nominālais spriegums: 1 x 220-240 V
 Nominālais strāvas: 3 A
 Cos phi - jaudas koeficients: 0,92
 Nominālais griezumais: 2800 rpm
 Korpusa klase (IEC 34-5): IP44
 Izolācijas klase (IEC 85): F
 Termiskā aizsardzība: THERMIK S06-150-05
 Kabeļa garums: 1.2 m
 Kabeļa tips: H05VV-F
 Kabeļa uzgādes tips: SCHUKO

Citi:
 Neto svars: 8.09 kg
 Bruto svars: 9.69 kg
 Izstrādājuma sortiments: Starptautisks



97775316 SOLOLIFT2 CWC-3 50 Hz



Atz m t! Visas m rvien bas ir [mm], ja vien nav nor d ts cits.
Atruna: Š vienk ršot skice nepar da visas deta as.