
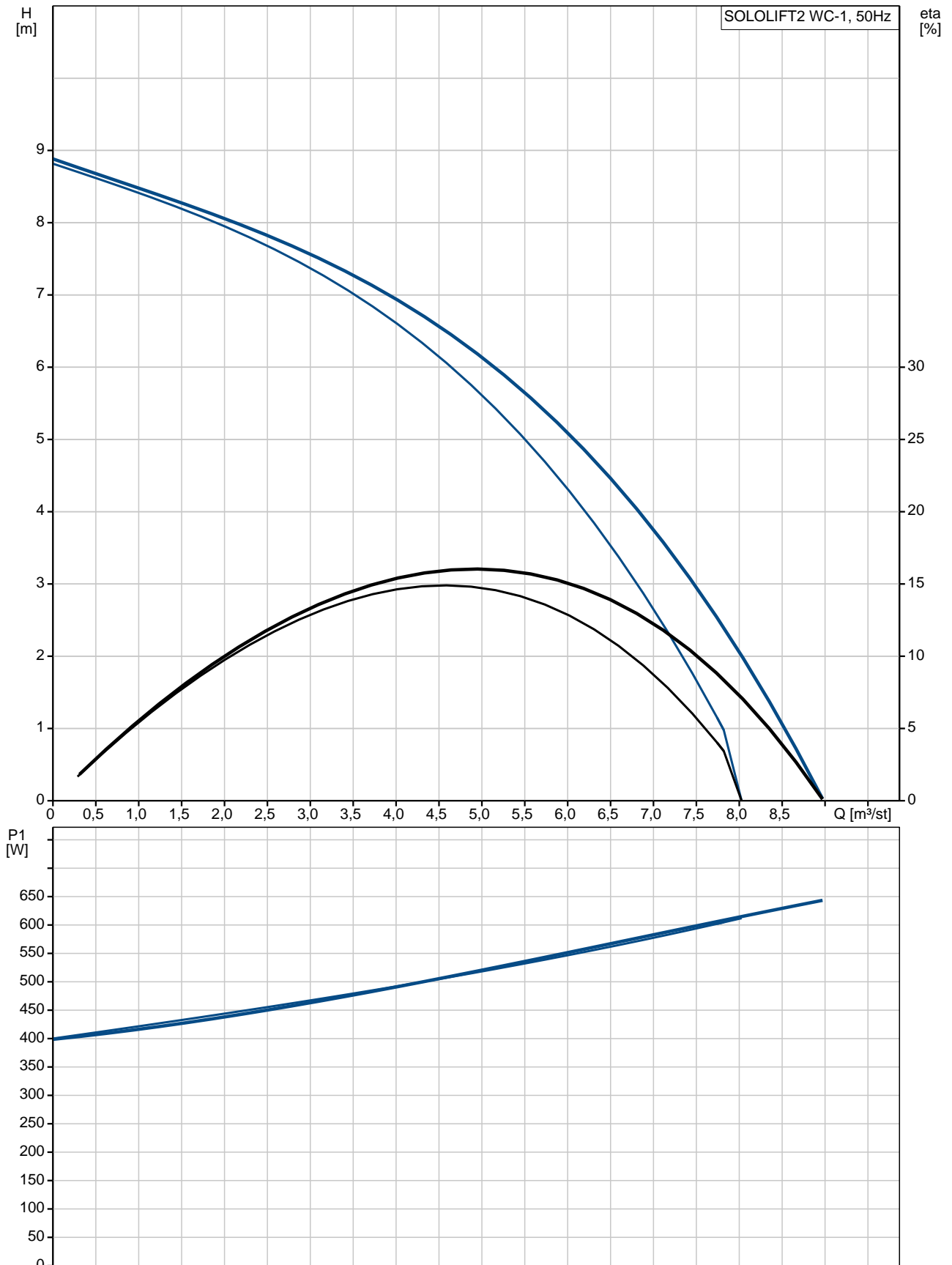


Poz cija	Daudz.	Apraksts
	1	<p><b>SOLOLIFT2 WC-1</b></p>  <p style="text-align: right;">Uzman bu! Izstr d juma att ls var atš irties no faktisk izstr d juma izskata.</p> <p>Izstr d juma Nr.: <a href="#">97775314</a></p> <p>Sololift2 WC-1 is a small, compact automatic lifting station suitable for pumping of wastewater off places in private dwellings where wastewater cannot be led directly to the sewer by means of a natural downward slope.</p> <p>Sololift2 WC-1 is suitable for pumping wastewater from a toilet containing toilet paper and faeces with an additional connection on the lid for e.g. a washbasin.</p> <p>The pumping of liquids containing other material may cause faults and limit the scope of our guarantee.</p> <p>Sololift2 WC-1 is typically used to dewater:</p> <ul style="list-style-type: none"> <li>• toilet and washbasin in basements below sewer level, in connection with the renovation or modernisation of existing buildings, where the location may be remote from the main soil pipe so that a natural slope cannot be established.</li> </ul> <p>The compact lifting station is equipped with</p> <ul style="list-style-type: none"> <li>- Cable with or without plug (see technical data)</li> <li>- Horizontal or vertical fastening possibility of discharge hose connector with several adaptors for pipes with Ø22-40mm</li> </ul> <p>-integrated non return valve</p> <ul style="list-style-type: none"> <li>- Dry and high performance motor unit incl. thermal protection, pressure switch and controller</li> <li>- DN100 toilet connection hose</li> <li>- Flexible connectors for inlet (adjustable in height) of pipes Ø36 or 40</li> <li>- Slot for an alarm board with buzzer (accessory)</li> <li>- Manual anti clogging function and separate drain connection for service</li> <li>- Venting valve with overflow protection</li> <li>- Uplift fixation clips</li> </ul> <p>Design according to EN12050-3 and production inspection by external institute with unique features focused on quick installation, long lasting operation and easy clean service.</p> <p>Note: The discharge adaptor can be mounted vertical or horizontal. Vertical installation increase the flow (s. databooklet and curves)</p> <p>Š idrums:  Š idruma maksim l temperat ra: 50 °C  Bl vums: 998.2 kg/m<sup>3</sup></p> <p><b>Technical:</b>  Apstiprin jumi pases datu pl ksn t : CE,TR,LGA,VDEEMV,VDE  L knes pielaide: ISO9906:2012 3B</p> <p><b>Materi li:</b></p>

Pozīcija	Daudz.	Apraksts
		<p>Tvertne: PLASTIC</p> <p><b>Uzstādīšana:</b> Sūkņa ieejas kanāls: 32/36/40, DN 100 Sūkņa izejas kanāls: 22/25/28/32/36/40 Pievadu skaits: 3X0,75MM2</p> <p><b>Elektriskie dati:</b> Ieejas jauda - P1: 620 W Tīkla frekvence: 50 Hz Nominālais spriegums: 1 x 220-240 V Nominālais strāva: 3 A Cos phi - jaudas koeficients: 0,92 Nominālais griezumais: 2800 rpm Korpuss klase (IEC 34-5): IP44 Izolācijas klase (IEC 85): F Kabeļa garums: 1.2 m Kabeļa tips: H05VV-F Kabeļa uzgādes tips: SCHUKO</p> <p><b>Citi:</b> Neto svars: 7.25 kg Bruto svars: 9.75 kg</p>

## 97775314 SOLOLIFT2 WC-1 50 Hz



Apraksts	V rt ba
----------	---------

**Visp r j inform cija:**

Izstr d juma nosaukums: SOLOLIFT2 WC-1

Izstr d juma Nr.: 97775314

EAN numurs: 5710624187234

Cena: P c piepras juma

**Technical:**

Maks. s kn. augstums: 8.5 m

Apstiprin jumi pases datu pl ksn t : CE,TR,LGA,VDEEMV,VDE

L knes pielaide: ISO9906:2012 3B

**Materi li:**

Tvertne: PLASTIC

**Uzst d šana:**

S k a ieejas kan ls: 32/36/40, DN 100

S k a izejas kan ls: 22/25/28/32/36/40

Pievadu skaits: 3X0,75MM2

**Š idrums:**

Š idruma maksim l temperat ra: 50 °C

Bl vums: 998.2 kg/m<sup>3</sup>

**Elektriskie dati:**

Ieejas jauda - P1: 620 W

T kla frekvence: 50 Hz

Nomin lais spriegums: 1 x 220-240 V

Nomin l str va: 3 A

Cos phi - jaudas koeficients: 0,92

Nomin lais trums: 2800 rpm

Korpasa klase (IEC 34-5): IP44

Izol cijas klase (IEC 85): F

Termisk aizsardz.: THERMIK S06-150-05

Kabe a garums: 1.2 m

Kabe a tips: H05VV-F

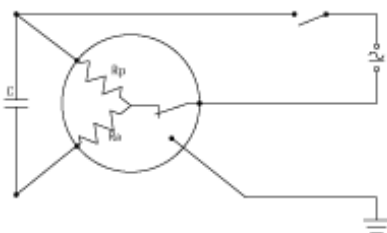
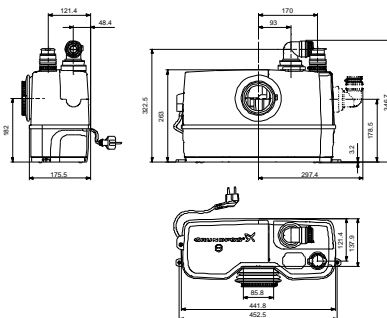
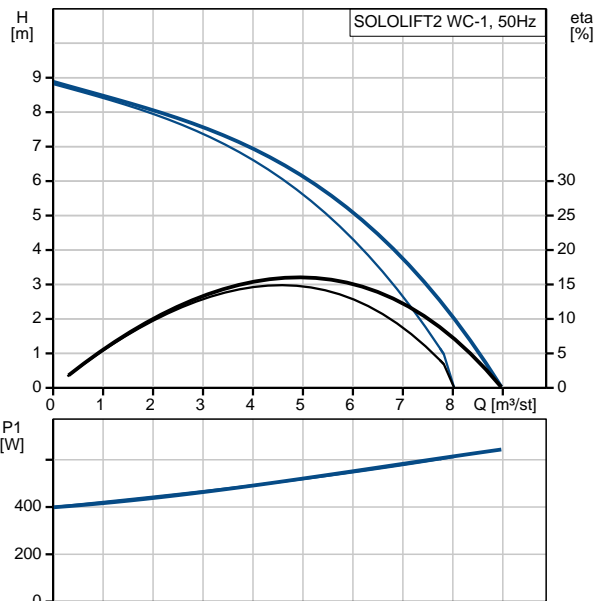
Kabe uzga a tips: SCHUKO

**Citi:**

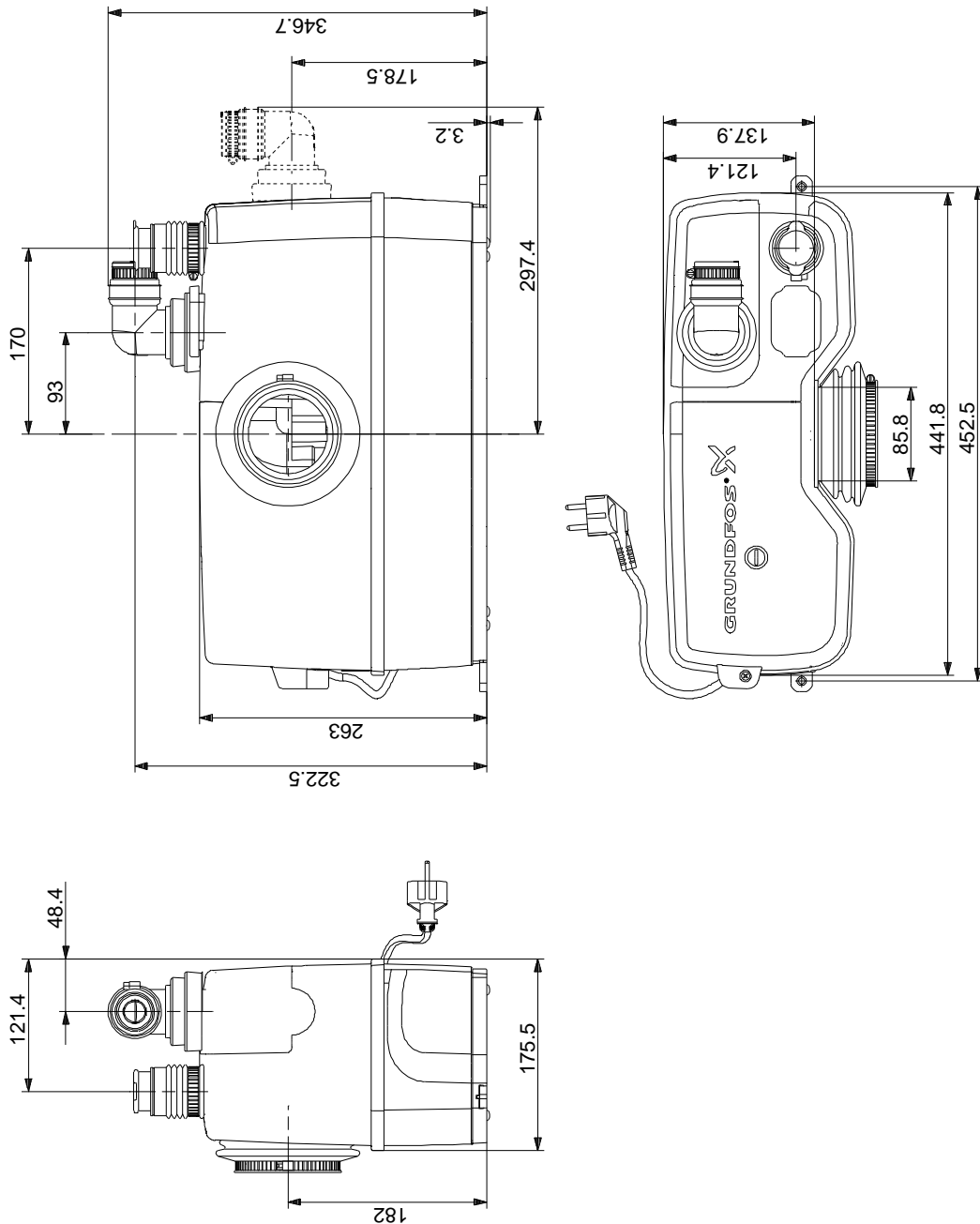
Neto svars: 7.25 kg

Bruto svars: 9.75 kg

Izstr d. sortiments: Starptautisks



## 97775314 SOLOLIFT2 WC-1 50 Hz



Atz m t! Visas m rvien bas ir [mm], ja vien nav nor d ts cits.  
Atruna: Š vien k ršot skice nepar da visas deta as.