

**Receiver**

**From**

Society  
Reference  
Address  
Phone  
Fax  
E-mail

**Item n° :**

60187267

**Model :**

EVOSTA2 11/85 SAN R 1/2"

**Pump data**

Pressure rating : 10 bar  
Min. fluid temperature : 2 °C  
Max. fluid temperature : 75 °C  
EEI : ≤

**Minimum suction head :**

Temperature °C 90  
Minimum suction head : m 10

**Requested data**

Flow :  
Head :  
Fluid (%) :  
Fluid Temperature : 20 °C  
Density : 0,9983 kg/dm<sup>3</sup>  
Kinematic viscosity : 1,005 mm<sup>2</sup>/s  
Vapor pressure :

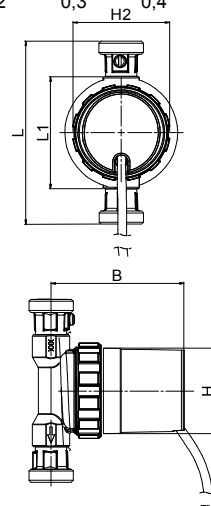
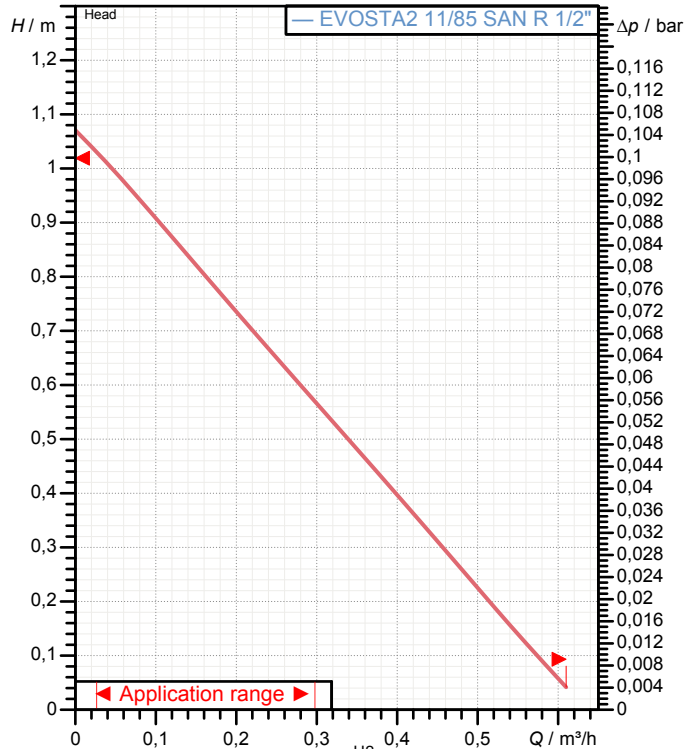
**Hydraulic data (duty point)**

Flow :  
Head :

**Materials**

Pump body Brass

Curve tolerance according to ISO 9906



**Motor data**

Motor brand : DAB  
Power input P1 : 0,007 kW  
Rated voltage : 1~ 230 V 50 Hz  
Nominal current : 0,07 A  
Degree of protection : IP 42

**Dimensions in mm**

B	100						
H	65						
H2	72						
L1	85						

**Weight :** 1,26 kg

**Pump connection**

Suction side : 1/2" G  
Discharge side : 1/2" G



# PERFORMANCE CURVES

DAB PUMPS S.p.A.  
Via Marco Polo, 14 - 35035 Mestrino (PD), Italy  
Tel. +39 049 5125000 - Fax +39 049 5125950  
www.dabpumps.com

2018-09-12

Page 1 / 1

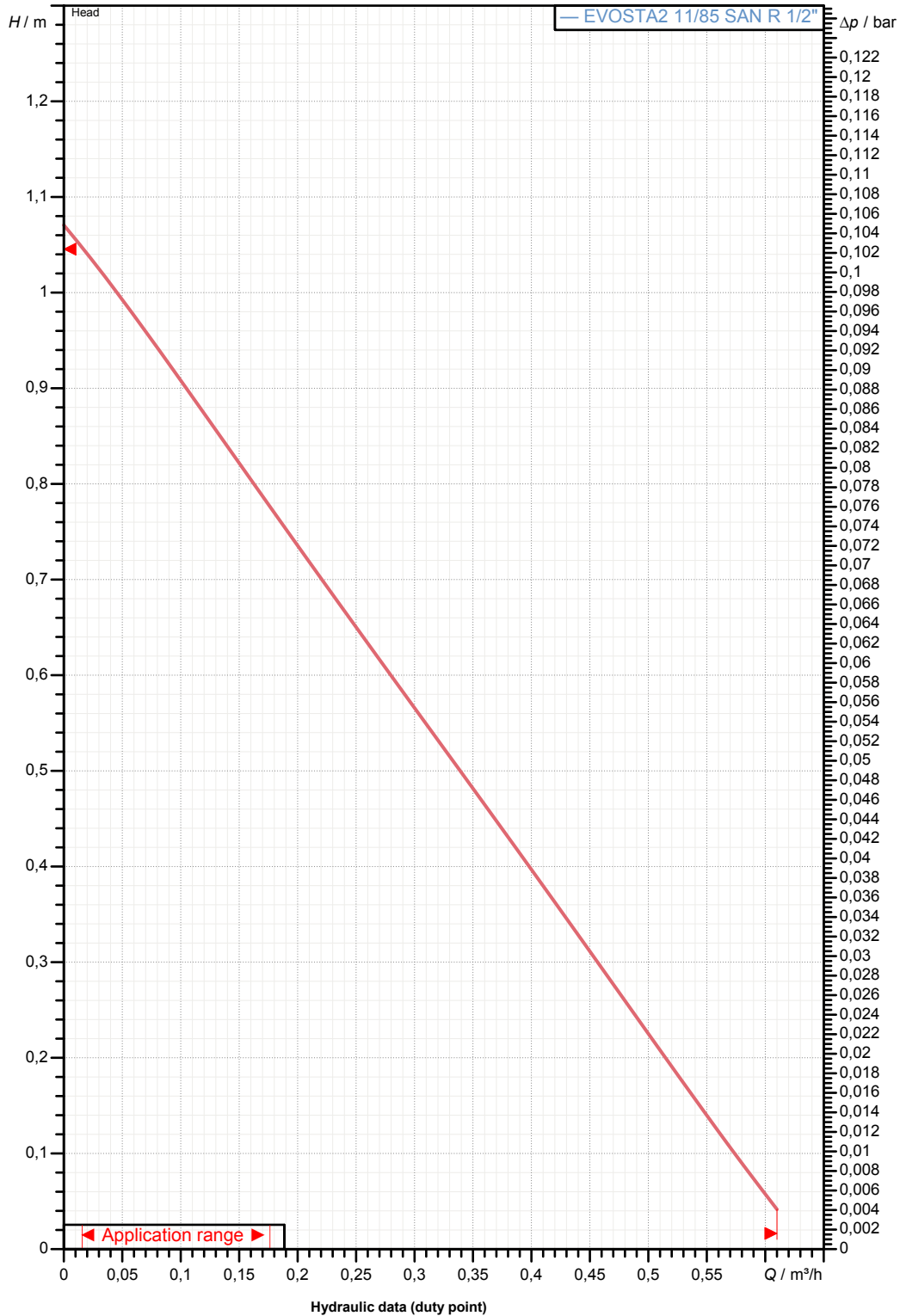
Receiver

From

Society  
Reference  
Address  
Phone  
Fax  
E-mail

## EVOSTA2 11/85 SAN R 1/2"

Curve tolerance according to ISO 9906



Suction side :  
1/2" G  
10 bar (1000 KPa)

Discharge side :  
1/2" G  
10 bar (1000 KPa)

Flow :

Head :

Rated speed :  
2900 1/min

MAIN\_PROJECT\_TITLE

BUSINESS\_PROCESS\_IT

OWNER\_

ISSUE\_DATE

Untitled project 2018-09-12 11:50:17.732

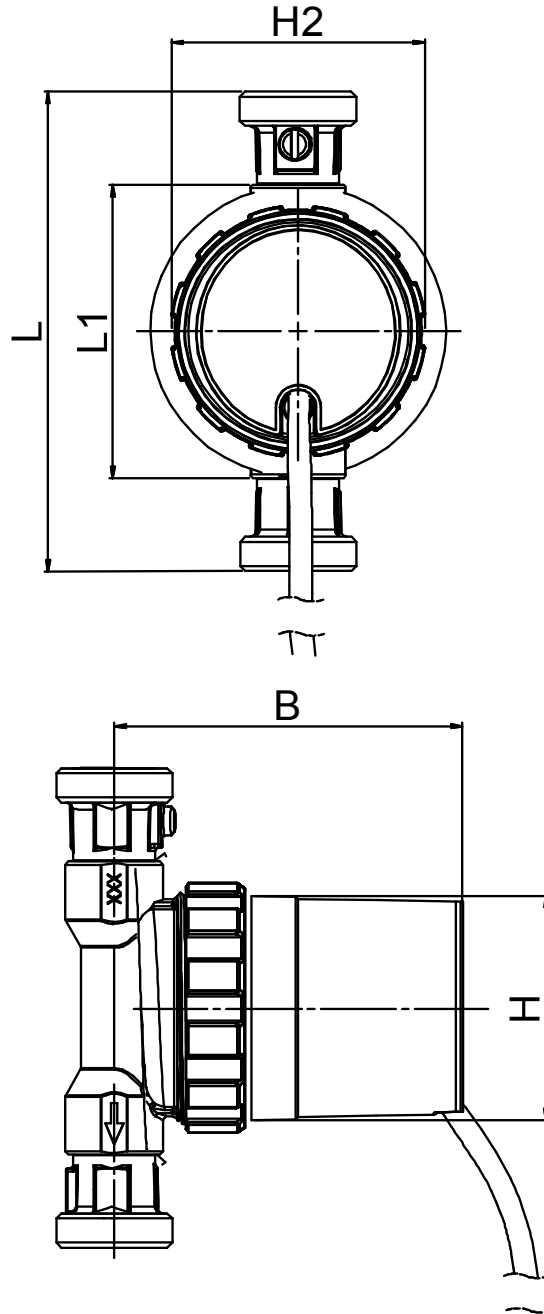
12/09/2018

Receiver

From

Society  
Reference  
Address  
Phone  
Fax  
E-mail

**EVOSTA2 11/85 SAN R 1/2"**



**Dimensions in mm**

**Pump connection**

1	B	100					
2	H	65					Suction
3	H2	72					1/2 " G
4	L1	85					10 bar (1000 KPa)
							Discharge
							1/2 " G
							10 bar (1000 KPa)

MAIN\_PROJECT\_TITLE

BUSINESS\_PROCESS\_I

OWNER\_

ISSUE\_DATE

Untitled project 2018-09-12 11:50:17.732

12/09/2018