

Receiver
From

 Society
 Reference
 Address
 Phone
 Fax
 E-mail

Item n° :

60142793

Model :

CPE 50/2600 M MCE15/C

Pump data

 MEI \geq 0,60

 Pressure rating : PN 16
 Min. fluid temperature : -10 °C
 Max. fluid temperature : 130 °C
 Max. Ambient temperature : 40 °C

Requested data

 Flow : 0.00 m³/h
 Head : 0.00 m
 Fluid (%) : Water, pure
 Fluid Temperature : 20 °C
 Density : 998.3 kg/m³
 Kinematic viscosity : 1.005 mm²/s
 Vapor pressure : 100.00 kPa

Hydraulic data (duty point)

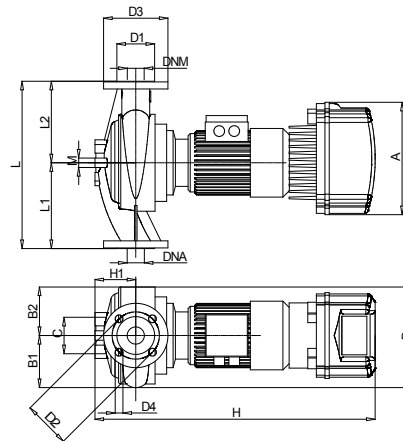
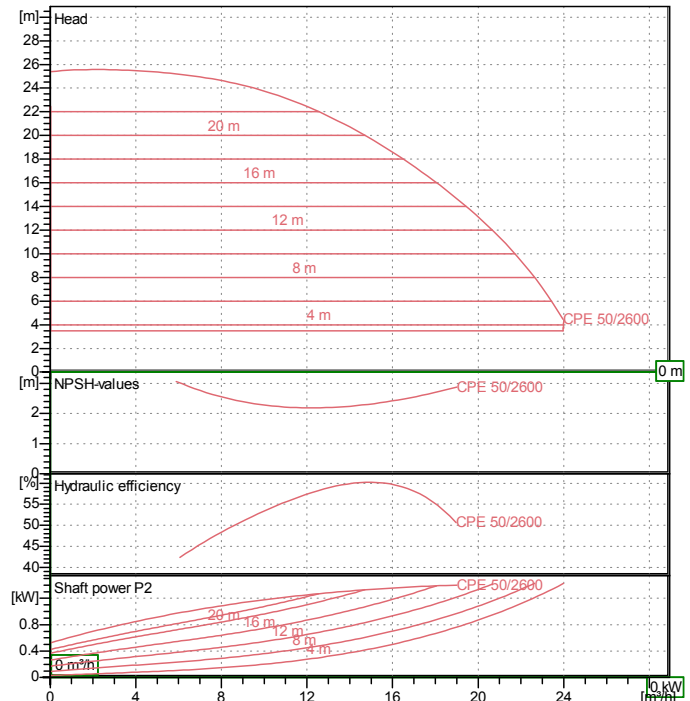
 Flow : 0 m³/h
 Head : 0 m
 NPSH : 6.19 m
 Shaft power P2 : 0.00 kW
 Efficiency : 0.00 %

Materials

 Pump body : Cast iron 250 UNI ISO 185
 Support : Cast iron 250 UNI ISO 185
 Impeller : Technopolymer B
 Mechanical seal : Carbon/Graphite
 OR ring : EPDM Rubber
 Shaft with rotor : AISI 304 X5 Cr Ni 1810 UNI 6900/71

Technical data :

 Nominal power P2 : 1.5 kW
 Rated speed : 2894 rpm
 Rated voltage : 1~ 230 V 50 Hz
 Input current : 14.4 A
 Degree of motor protection : IP 55

Curve tolerance according to ISO 9906

Weight : 49 kg

Dimensions in mm

A	262	D3	165	L1	225
B	233	D4	4 x Ø18	L2	200
B1	120	DNA	50	M	12
B2	113	DNM	50		
C	100	H	663		
D1	102	H1	105		
D2	125	L	425		

Pump connection

 Suction side : DN 50 / PN 16
 Discharge side : DN 50 / PN 16



PERFORMANCE CURVES

30/08/2017

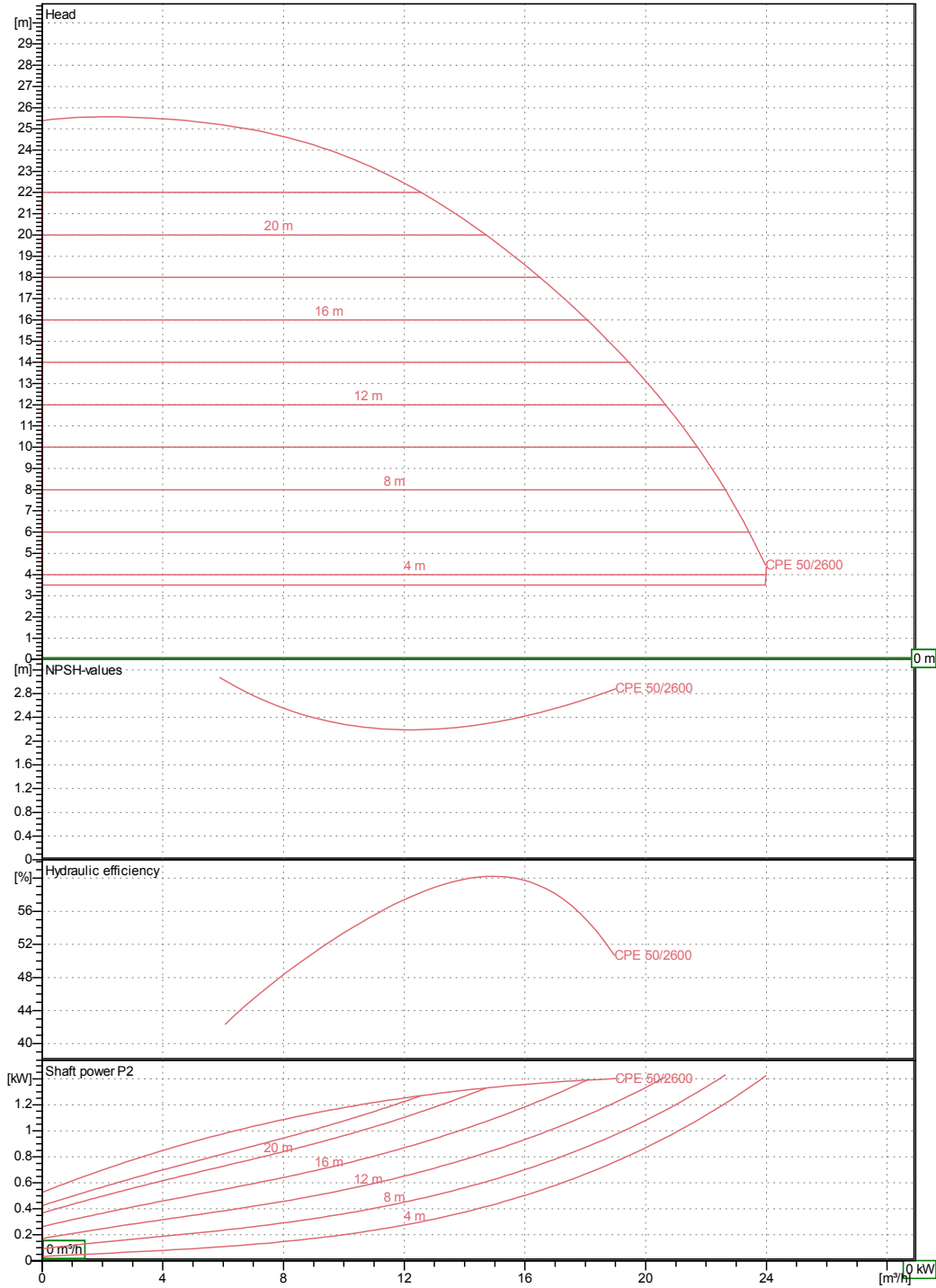
Page 2 / 3

DAB PUMPS S.p.A.
Via Marco Polo, 14 - 35035 Mestrino (PD), Italy
Tel. +39 049 5125000 - Fax +39 049 5125950
www.dabpumps.com

Society Reference Address Phone Fax E-mail	Receiver	From
---	-----------------	-------------

CPE 50/2600 M MCE15/C

Curve tolerance according to ISO 9906



Hydraulic data (duty point)

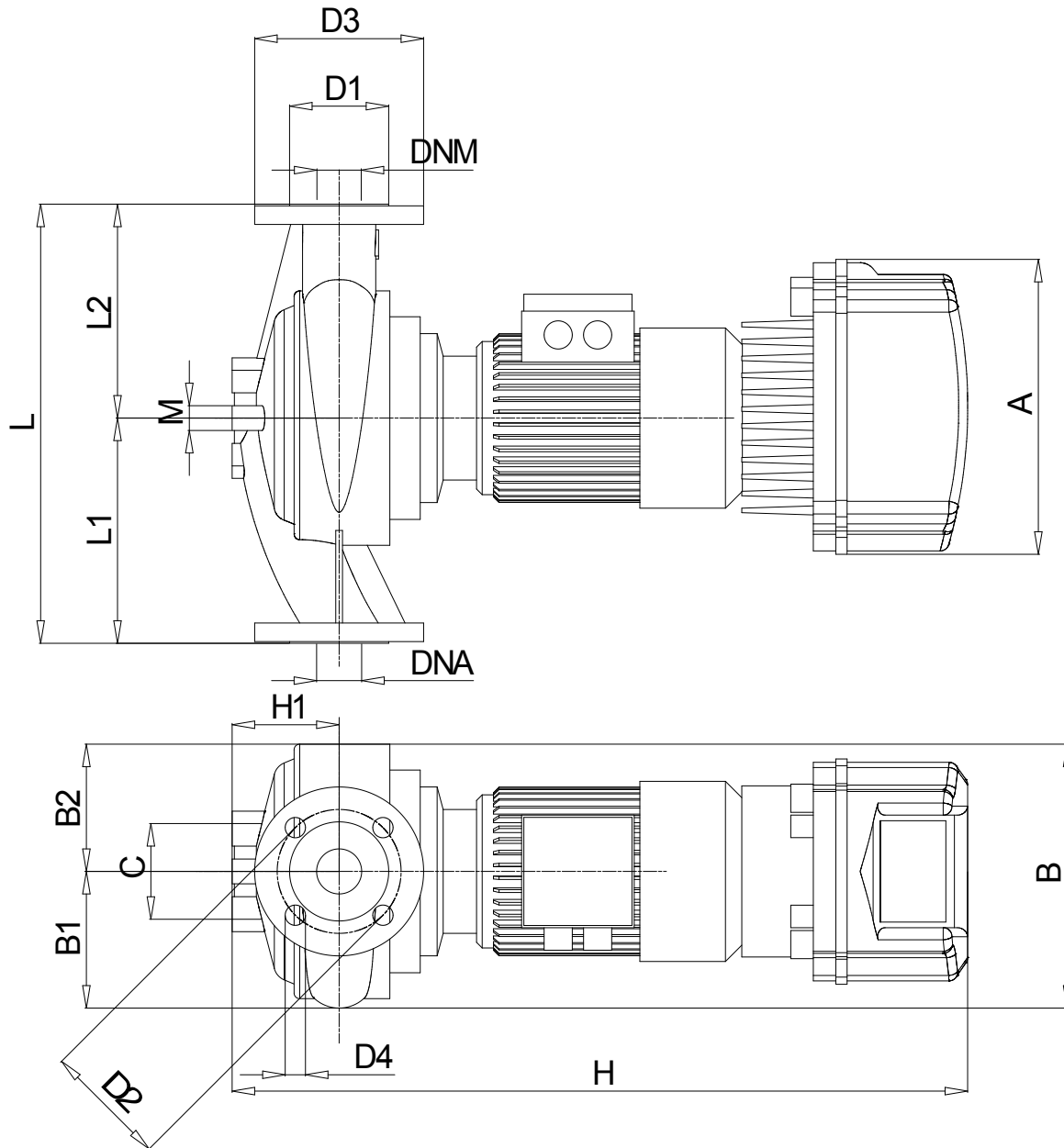
Suction side : DN 50 PN 16	Discharge side : DN 50 PN 16	Flow : 0 m³/h	Head : 0 m	Rated speed : 2894 rpm
Project	Project ID	Created by	Created on 30/08/2017	

Receiver

From

Society
 Reference
 Address
 Phone
 Fax
 E-mail

CPE 50/2600 M MCE15/C


Dimensions in mm

1	A	262	DNM	50
2	B	233	H	663
3	B1	120	H1	105
4	B2	113	L	425
5	C	100	L1	225
6	D1	102	L2	200
7	D2	125	M	12
8	D3	165		
9	D4	4 x Ø18		
10	DNA	50		

Pump connection

Suction
 DN 50
 PN 16

 Discharge
 DN 50
 PN 16

Project

Project ID

Created by

Created on

30/08/2017