

**Receiver**
**From**

 Society  
 Reference  
 Address  
 Phone  
 Fax  
 E-mail

**Item n° :**

60150971

**Model :**

EVOPLUS B 60/240.50 M

**Pump data**

 Pressure rating : 1600 kPa  
 Min. fluid temperature : -10 °C  
 Max. fluid temperature : 110 °C  
 EEI : ≤ 0,20

**Minimum suction head :**

 Temperature °C 90 100  
 Minimum suction head : m 20 25

**Requested data**

 Flow : 0.00 m³/h  
 Head : 0.00 m  
 Fluid (%) : Water, pure  
 Fluid Temperature : 20 °C  
 Density : 998.3 kg/m³  
 Kinematic viscosity : 1.005 mm²/s  
 Vapor pressure : 100.00 kPa

**Hydraulic data (duty point)**

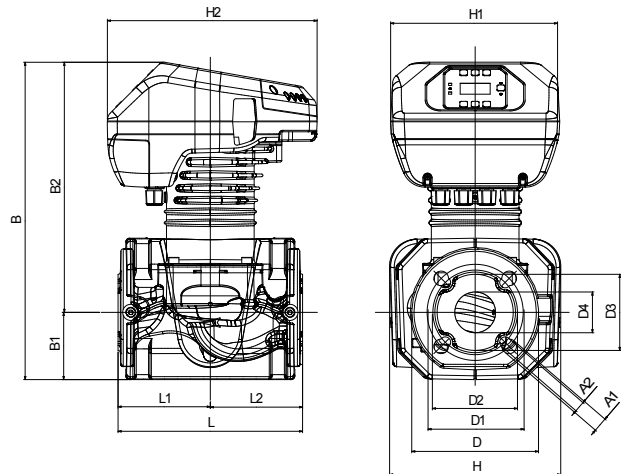
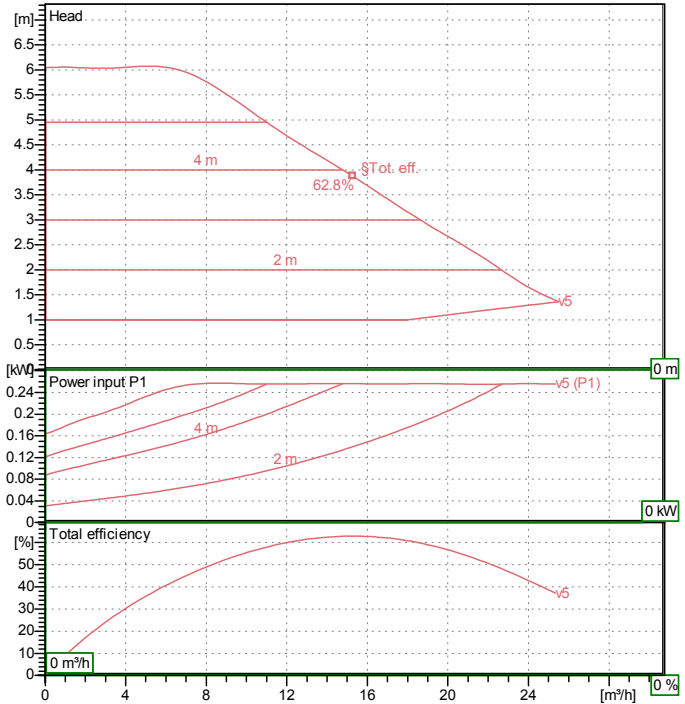
 Flow :  
 Head :

**Materials**

 Pump body : Cast iron 250 UNI ISO 185 - CTF  
 Impeller : Technopolymer  
 Motor shaft : Stainless steel  
 Seal ring : EPDM  
 Motor casing : Die cast aluminium  
 Closing flange : Stainless steel  
 Thrust ring support : Stainless steel

**Motor data**

 Motor brand : DAB  
 Power input P1 : 0.26 kW  
 Rated voltage : 1~ 220-240 V 50 Hz  
 Nominal current : 1.35 A  
 Degree of protection : IP 44

**Curve tolerance according to ISO 9906**

**Dimensions in mm**

A1	19	D	165	H	222	L2	120
A2	14	D1	125	H1	220		
B	413	D2	110	H2	273		
B1	87	D3	99	L	240		
B2	325	D4	53	L1	120		

**Weight :** 21.4 kg

**Pump connection**

 Suction side : DN 50 / PN6, PN10, PN16 (4 slotted holes)  
 Discharge side : DN 50 / PN6, PN10, PN16 (4 slotted holes)



# PERFORMANCE CURVES

09/08/2016

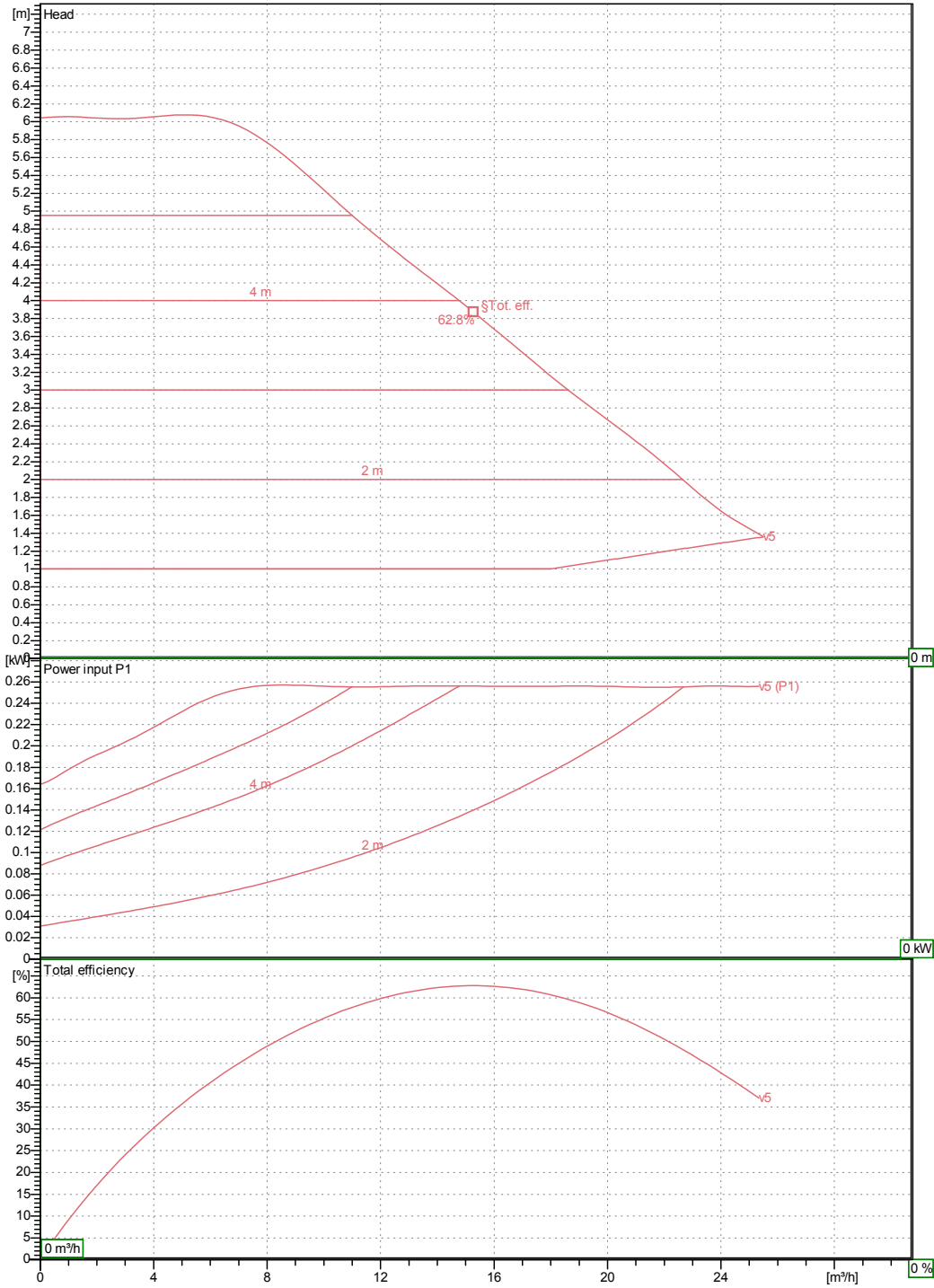
Page 2 / 3

DAB PUMPS S.p.A.  
Via Marco Polo, 14 - 35035 Mestrino (PD), Italy  
Tel. +39 049 5125000 - Fax +39 049 5125950  
www.dabpumps.com

	<b>Receiver</b>	<b>From</b>
Society Reference Address Phone Fax E-mail		

## EVOPLUS B 60/240.50 M

Curve tolerance according to ISO 9906



Hydraulic data (duty point)

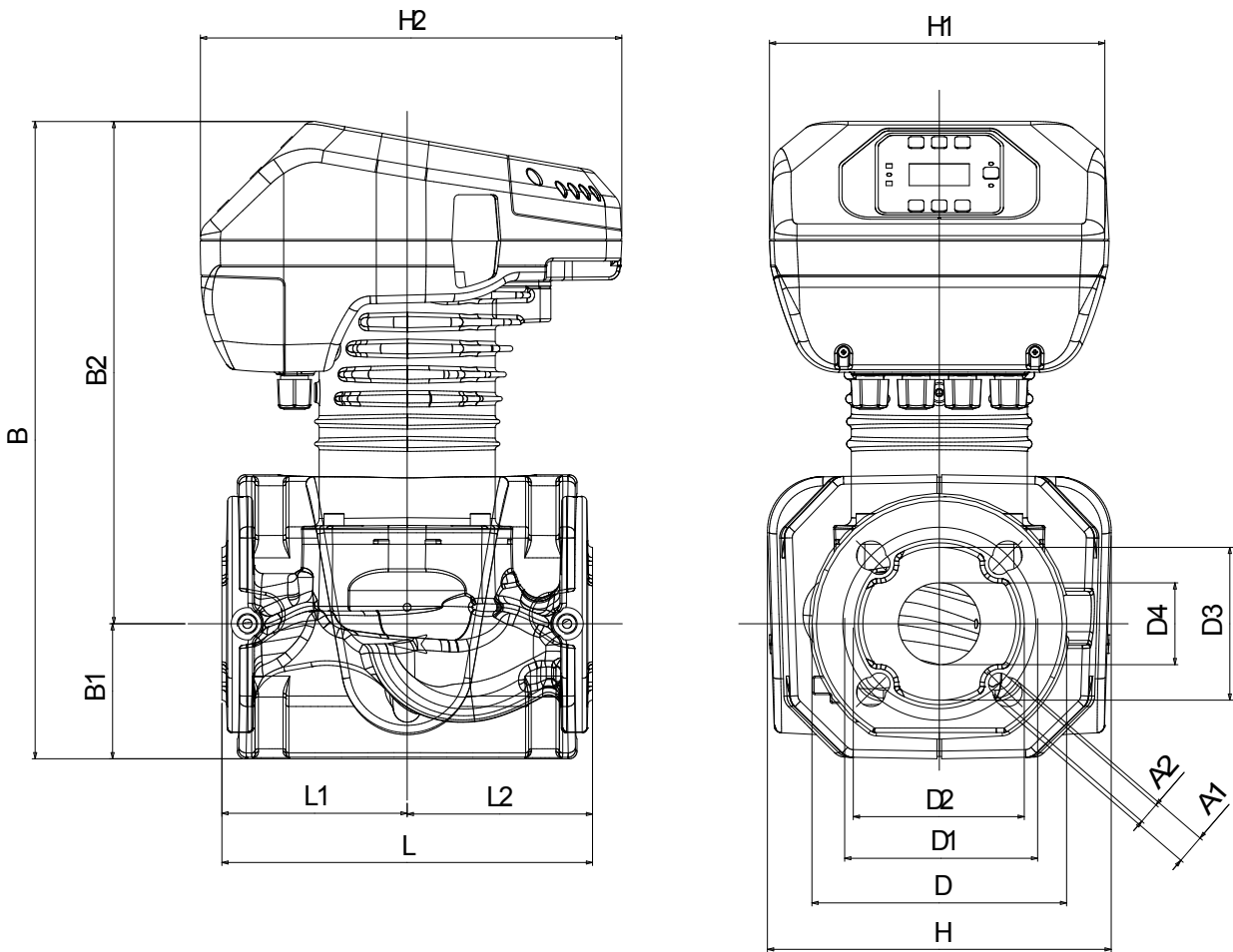
Suction side : DN 50 PN6, PN10, PN16 (4 slotted holes)	Discharge side : DN 50 PN6, PN10, PN16 (4 slotted holes)	Flow : 0 m³/h	Head : 0 m	Rated speed : 2900 rpm
Project	Project ID	Created by	Created on <b>09/08/2016</b>	

Receiver

From

Society  
 Reference  
 Address  
 Phone  
 Fax  
 E-mail

## EVOPLUS B 60/240.50 M


**Dimensions in mm**

1	A1	19	H	222
2	A2	14	H1	220
3	B	413	H2	273
4	B1	87	L	240
5	B2	325	L1	120
6	D	165	L2	120
7	D1	125		
8	D2	110		
9	D3	99		
10	D4	53		

**Pump connection**

Suction  
 DN 50  
 PN6, PN10, PN16 (4 slotted holes)

Discharge  
 DN 50  
 PN6, PN10, PN16 (4 slotted holes)

Project

Project ID

Created by

Created on

**09/08/2016**