

Receiver
From

 Society
 Reference
 Address
 Phone
 Fax
 E-mail

Item n° :

102640100

Model :

JETINOX 132 M

Pump data

 Pressure rating : 8 bar (800 kPa)
 Min. fluid temperature : 0 °C
 Max. fluid temperature : 35 °C
 Max. Ambient temperature : 40 °C

Priming capacity :

H m	2	3	4	5	6	7	8	9
Q m³/h	4.68	4.32	4.02	3.66	3.24	2.76	2.28	1.86

Requested data

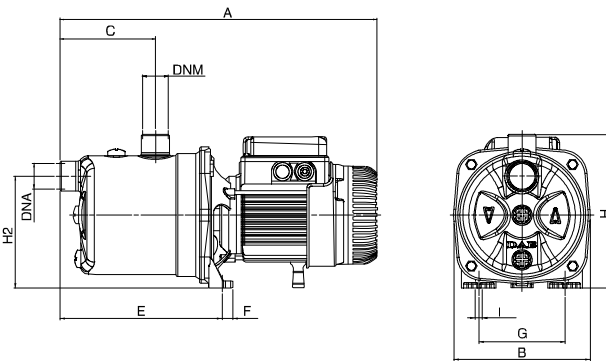
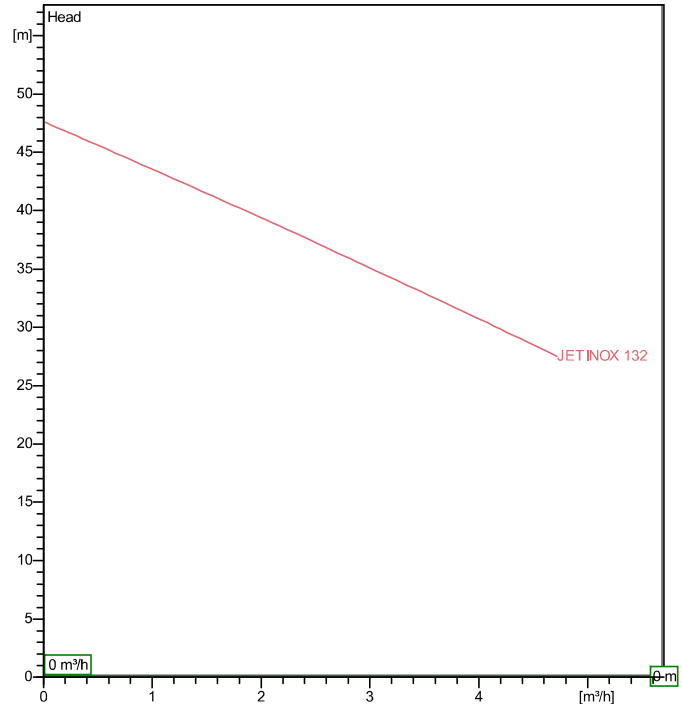
 Flow : 0.00 m³/h
 Head : 0.00 m
 Fluid : Water, pure
 Fluid Temperature : 20 °C
 Density : 998.3 kg/m³
 Kinematic viscosity : 1.005 mm²/s
 Vapor pressure : 100.00 kPa

Hydraulic data (duty point)

 Flow :
 Head :

Materials

Pump body	AISI 304 X5 Cr Ni 1810 UNI 6900/71
Disc seal	AISI 304 X5 Cr Ni 1810 UNI 6900/71
Impeller	Technopolymer A
Mechanical seal	Carbon/Ceramic
OR ring	NBR Rubber
Shaft with rotor	AISI 416 X12 CrS 13 UNI 6900/71
Nozzle venturi diffuser assembly	Technopolymer A

Curve tolerance according to ISO 9906

Motor data

 Motor brand : DAB
 Nominal power P2 : 1 kW
 Rated speed : 2750 rpm
 Rated voltage : 1~ 230 V 50 Hz
 Nominal current : 6.6 A
 Degree of protection : IP 44

Dimensions in
mm

A	424	DNM	1"G	H	197		
B	174	E	207	H2	144		
C	122	F	14	IØ	9		
DNA	1"G	G	111				

Weight : 11 kg

Pump connection

 Suction side : 1 " G / 8 bar (800 kPa)
 Discharge side : 1 " G / 8 bar (800 kPa)



WATER • TECHNOLOGY

PERFORMANCE CURVES

17/02/2016

Page 2 / 3

DAB PUMPS S.p.A.
Via Marco Polo, 14 - 35035 Mestrino (PD), Italy
Tel. +39 049 5125000 - Fax +39 049 5125950
www.dabpumps.com

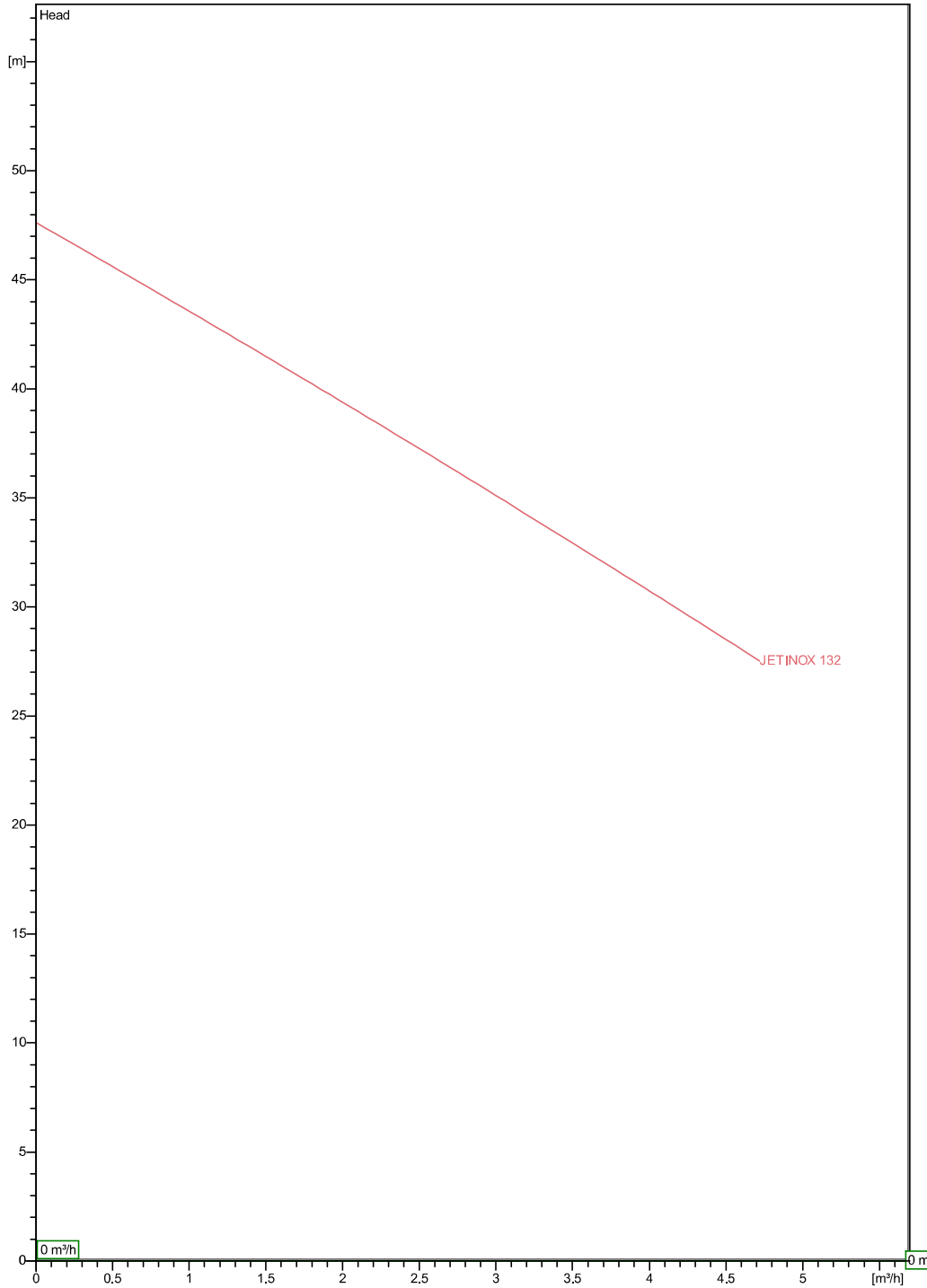
Receiver

From

Society
Reference
Address
Phone
Fax
E-mail

JETINOX 132 M

Curve tolerance according to ISO 9906



Hydraulic data (duty point)

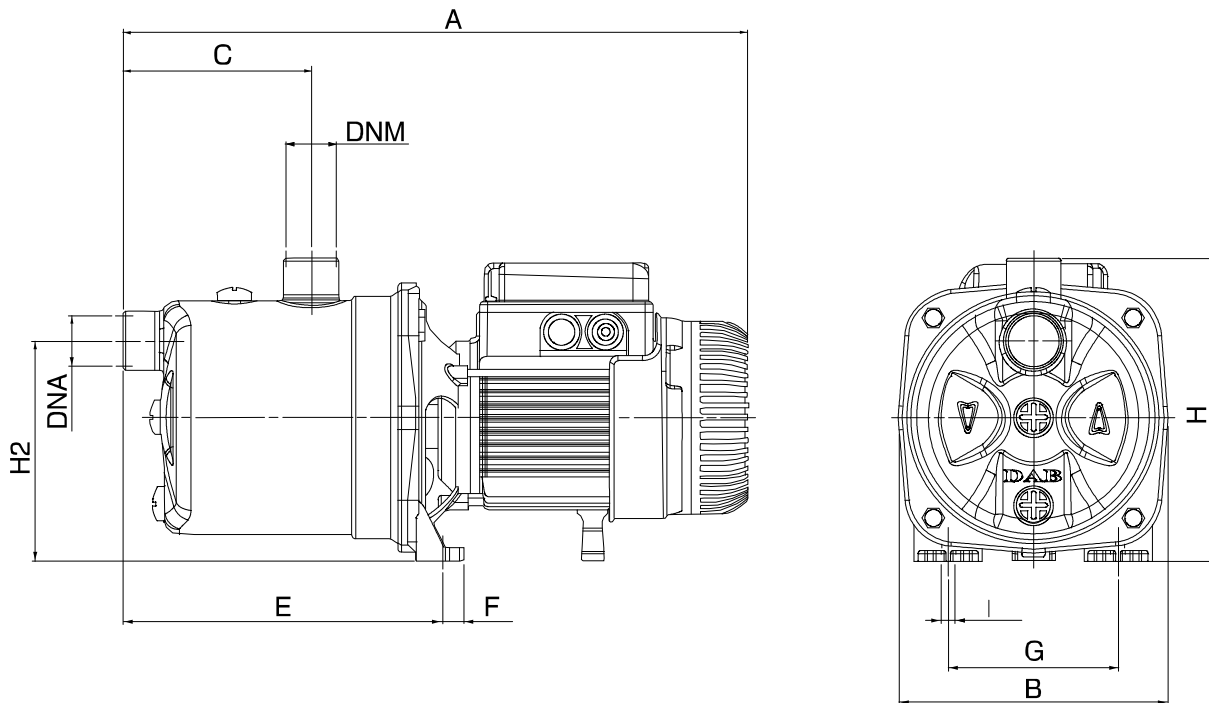
Suction side : 1 " G 8 bar (800 kPa)	Discharge side : 1 " G 8 bar (800 kPa)	Flow : 0 m³/h	Head : 0 m	Rated speed : 2750 rpm
Project	Project ID	Created by	Created on 17/02/2016	

Receiver

From

Society
 Reference
 Address
 Phone
 Fax
 E-mail

JETINOX 132 M


Dimensions in mm

1	A	424	1 Ø	9	
2	B	174			
3	C	122			
4	DNA	1"G			
5	DNM	1"G			
6	E	207			
7	F	14			
8	G	111			
9	H	197			
10	H2	144			

Pump connection

Suction
 1 " G
 8 bar (800 kPa)

Discharge
 1 " G
 8 bar (800 kPa)

Project

Project ID

Created by

Created on

17/02/2016